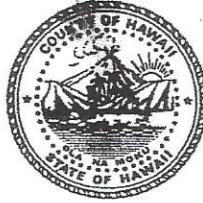


William P. Kenoi  
Mayor



Bobby Jean Leithead Todd  
Planning Director

Margaret K. Masunaga  
Deputy Planning Director

County of Hawaii

**PLANNING DEPARTMENT**

Aupuni Center • 101 Pauahi Street, Suite 3 • Hilo, Hawaii 96720  
Phone (808) 961-8288 • Fax (808) 961-8742

September 21, 2009

Sharon Moraes  
Volcano Cymbidium Acres Road Maintenance Corp.  
PO Box 574  
Volcano, HI 96785

Dear Ms. Moraes:

**Proposed Street Names**  
**Cymbidium Acres Subdivision (SUB 2660)**  
**TMK: 1-1-018:142**

This is in response to your letter dated September 8, 2009, requesting the assignment of the following street names to roadways within the Cymbidium Acres Subdivision. We have no objections to the assignment of the following street names:

- |                                 |  |
|---------------------------------|--|
| <b>Olomea Road (Road A)</b>     | - <b>Native Shrub or Small Tree</b>                              |
| <b>Liko Lehua Road (Road C)</b> | - <b>Red Lehua leaves as used for Leis</b>                       |
| <b>Kawailehua Road (Road E)</b> | - <b>The Lehua Water; The water that gives life to the earth</b> |

Our records show that the roadways in this subdivision are private roadways. You will be responsible to install street signs to identify these roadways. See attached items for guidance on the placement of your signs. If additional information is needed, please consult the Department of Public Works, Traffic Division at 961-8341.

For your information, the United States Postal Service (USPS) has informed this office of new mail delivery guidelines, which encourages the use of centralized mail delivery equipment. We have enclosed a flyer provided by the USPS. If you and other landowners situated along these newly named roadways are contemplating mail delivery; we encourage you to contact the local USPS Growth Coordinator at (808) 423-3908.

Sharon Moraes  
Volcano Cymbidium Acres Road Maintenance Corp.  
Page 2  
September 21, 2009

Should you have any questions, please contact us at 961-8288.

Sincerely,



BJ LEITHEAD TODD  
Planning Director

LHN:lnm

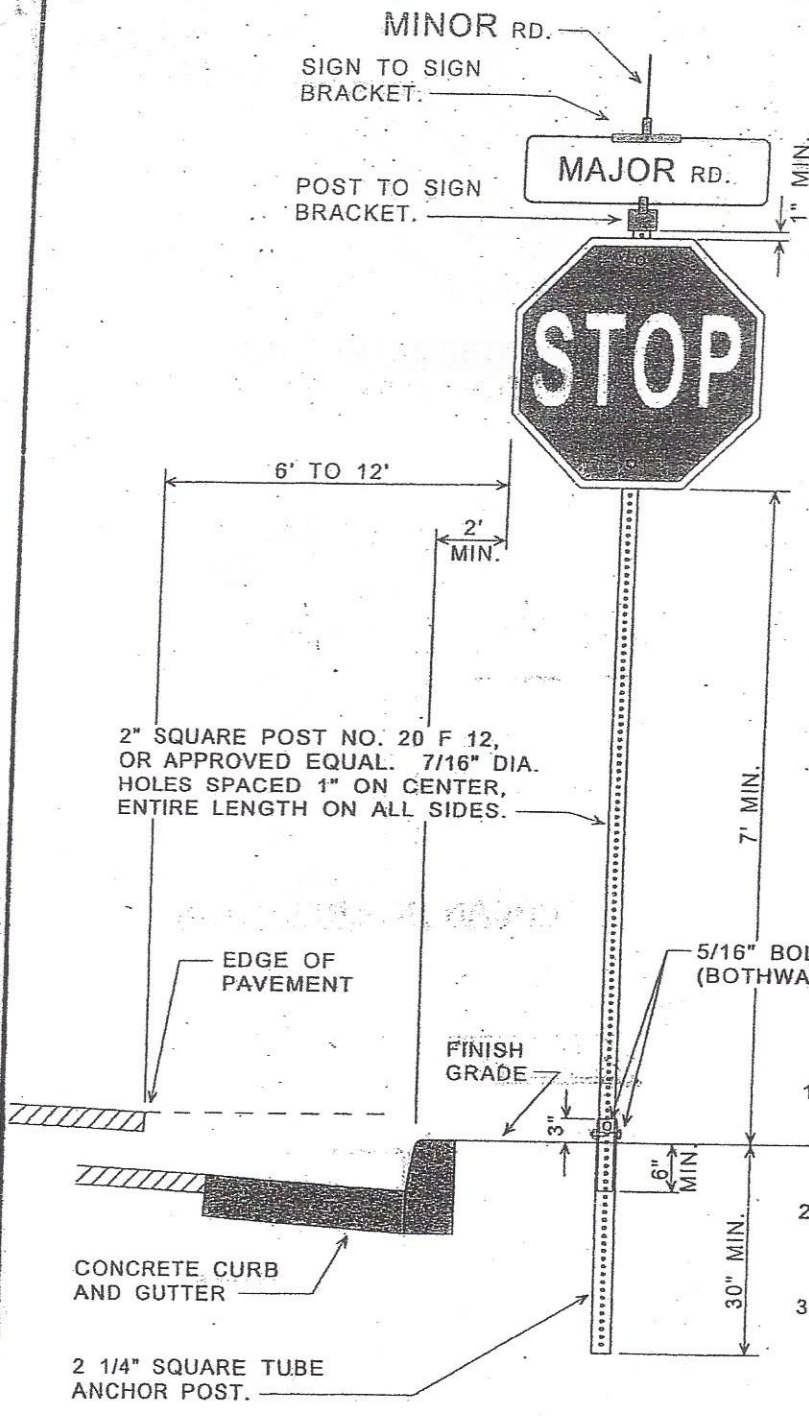
P:\wpwin60\STREET\SLETTERS\PUNA\SUB2660\CymbidiumAcresMoraes.doc

Encs. - Map

Street Name & Stop Sign Detail  
USPS New Mail Delivery Guidelines

xc/map: DPW-ENG-HILO  
DPW-TRAFFIC DIVISION  
Civil Defense  
Chief of Police  
Fire Chief  
Real Property Tax Division-Hilo  
District Environmental Health Program Chief, DOH  
District Engineer, DOT  
HELCO - Engineering Dept.  
HAWAIIAN TELCOM  
Postmaster, Hilo Post Office  
Gale Chun, Address Management System, USPO  
Maria Nieves, GIS Applications Engineer, Akimeka  
Office of the County Clerk  
Elections Division  
Cheryl Chan, GIS, Data Systems  
Hans Santiago, Tax Maps & Records Supervisor I  
Meryl Iwasaki, Street Address Section  
Larry Nakayama - Planner





**STREET NAME(S)**

GREEN BACKGROUND SHALL BE SCOTCHLITE REFLECTIVE SHEETING NO. 3277 OR APPROVED EQUAL.

LETTERING AND NUMERALS SHALL BE WHITE SCOTCHLITE REFLECTIVE SHEETING NO. 3290 OR APPROVED EQUAL.

LETTERING AND NUMERALS SHALL BE 4" MINIMUM AND CONFORM TO THE LATEST EDITION OF THE "STANDARD HIGHWAY SIGNS" BOOK.

**SIGN PLATES**

0.080 INCH MINIMUM THICKNESS, ALUMINUM SHEET (ASTM B 209, ALLOY 6061-T6, FLAT SHEET). STREET NAME PLATES SHALL BE 24", 30" or (36" MAXIMUM).

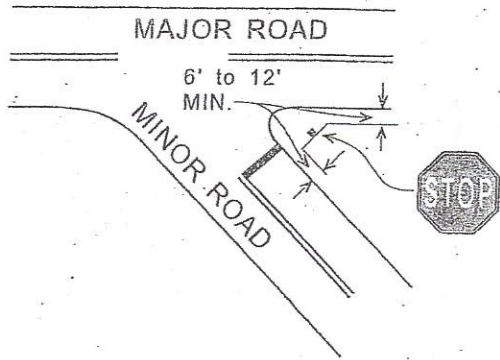
STOP SIGN, FACING MINOR ROAD. 30" x 30" MINIMUM SIZE WITH HIGH INTENSITY REFLECTIVE SHEETING.

**NOTES**

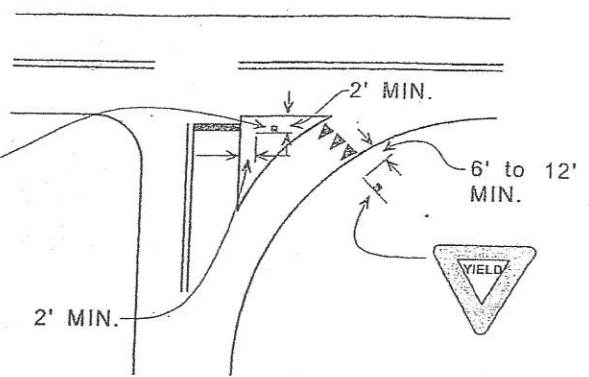
1. THE INSIDE OF THE 2 1/4" ANCHOR POST MUST BE KEPT FREE OF IMPEDIMENTS TO ASSURE EASY INSERTION OF THE 2" SIGN POST.
2. SQUARE TUBE SIGN POSTS SHALL BE TELESCOPING PERFORATED TELESPAR TUBING OR APPROVED EQUAL.
3. SIGN DIMENSIONS SHALL CONFORM TO THE LATEST EDITION OF THE MANUAL ON UNIFORM TRAFFIC CONTROL DEVICES, (MUTCD) AND THE STANDARD HIGHWAY SIGNS BOOK.
4. FLANGED CHANNEL POSTS AND OCTAGONAL POSTS ARE NOT ACCEPTABLE.
5. ALL INSTALLATIONS SHALL BE FIRM AND PERFORMED IN A FIRST CLASS WORKMAN-LIKE MANNER ACCORDING TO INDUSTRY STANDARDS.

**STREET NAME AND STOP SIGN DETAIL**

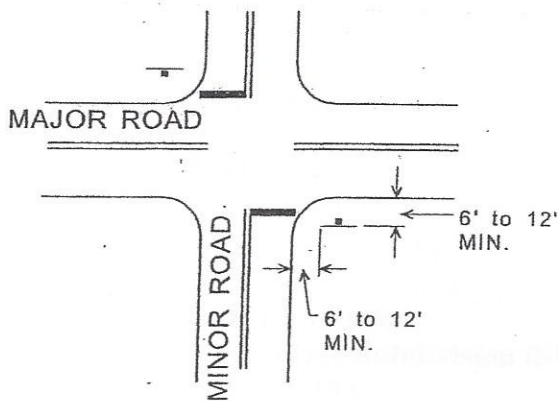
NOT TO SCALE



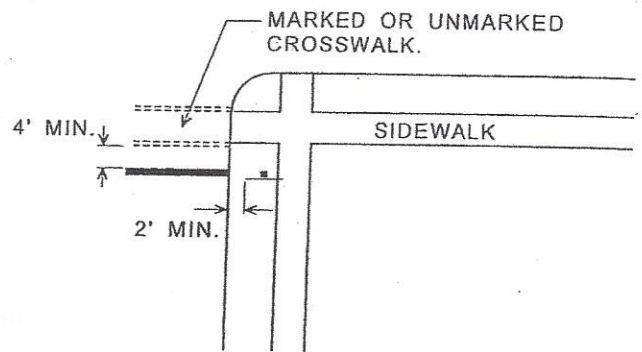
ACUTE ANGLE INTERSECTION



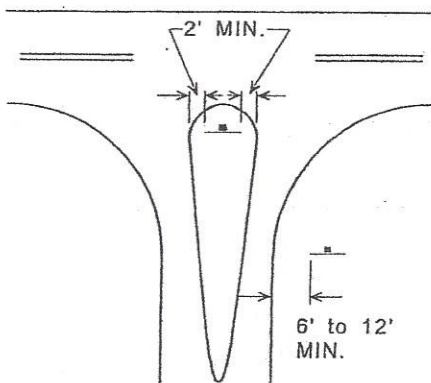
CHANNELIZED INTERSECTION



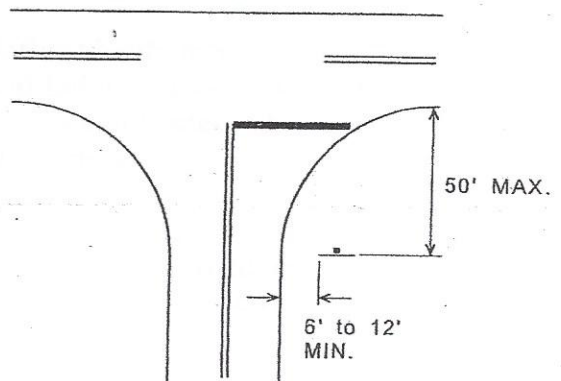
MINOR CROSSROAD



URBAN INTERSECTION



DIVISIONAL ISLAND



WIDE THROAT INTERSECTION

**NOTE:**  
 LATERAL OFFSET IS A MINIMUM OF 1.8m (6FT.) MEASURED FROM THE EDGE OF THE SHOULDER, OR 3.7m(12FT.) MEASURED FROM THE EDGE OF THE TRAVELED WAY. LOWER MINIMUMS MAY BE USED IN URBAN AREAS, OR WHERE LATERAL OFFSET SPACE IS LIMITED.

**TYPICAL LOCATIONS FOR STOP SIGNS AND YIELD SIGNS**

NOT TO SCALE